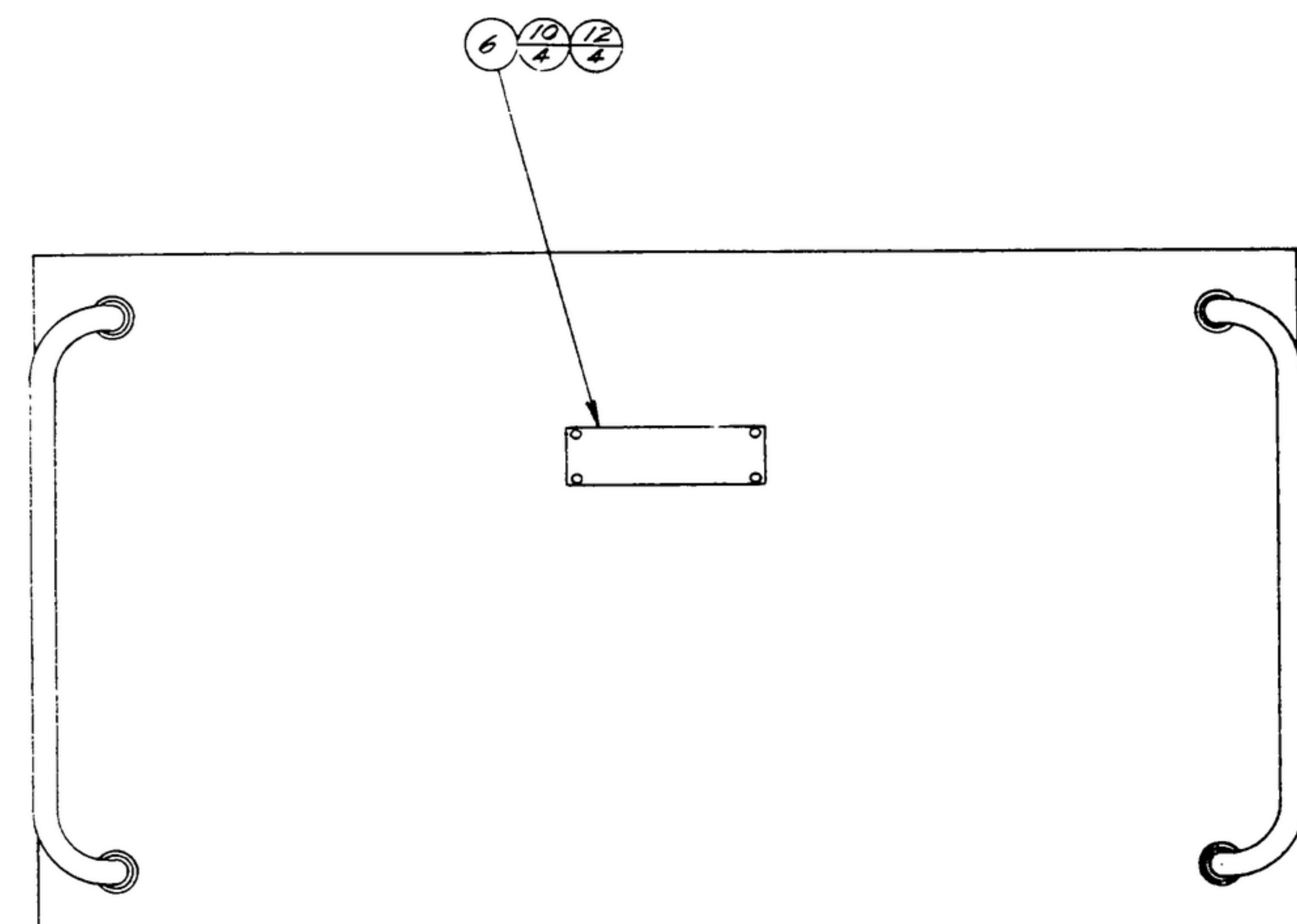


NOTES: THIS DRAWING IS A TECHNICAL DRAWING AND IS NOT TO BE USED FOR CONSTRUCTION OF A PHYSICAL OBJECT UNLESS IT IS ACCOMPANIED BY A MANUFACTURING INSTRUCTION SHEET OR A MANUFACTURING INSTRUCTION SHEET IS REFERRED TO BY A DIMENSION LINE OR A DIMENSION VALUE. THIS DRAWING IS NOT TO BE USED FOR CONSTRUCTION OF A PHYSICAL OBJECT UNLESS IT IS ACCOMPANIED BY A MANUFACTURING INSTRUCTION SHEET OR A MANUFACTURING INSTRUCTION SHEET IS REFERRED TO BY A DIMENSION LINE OR A DIMENSION VALUE.

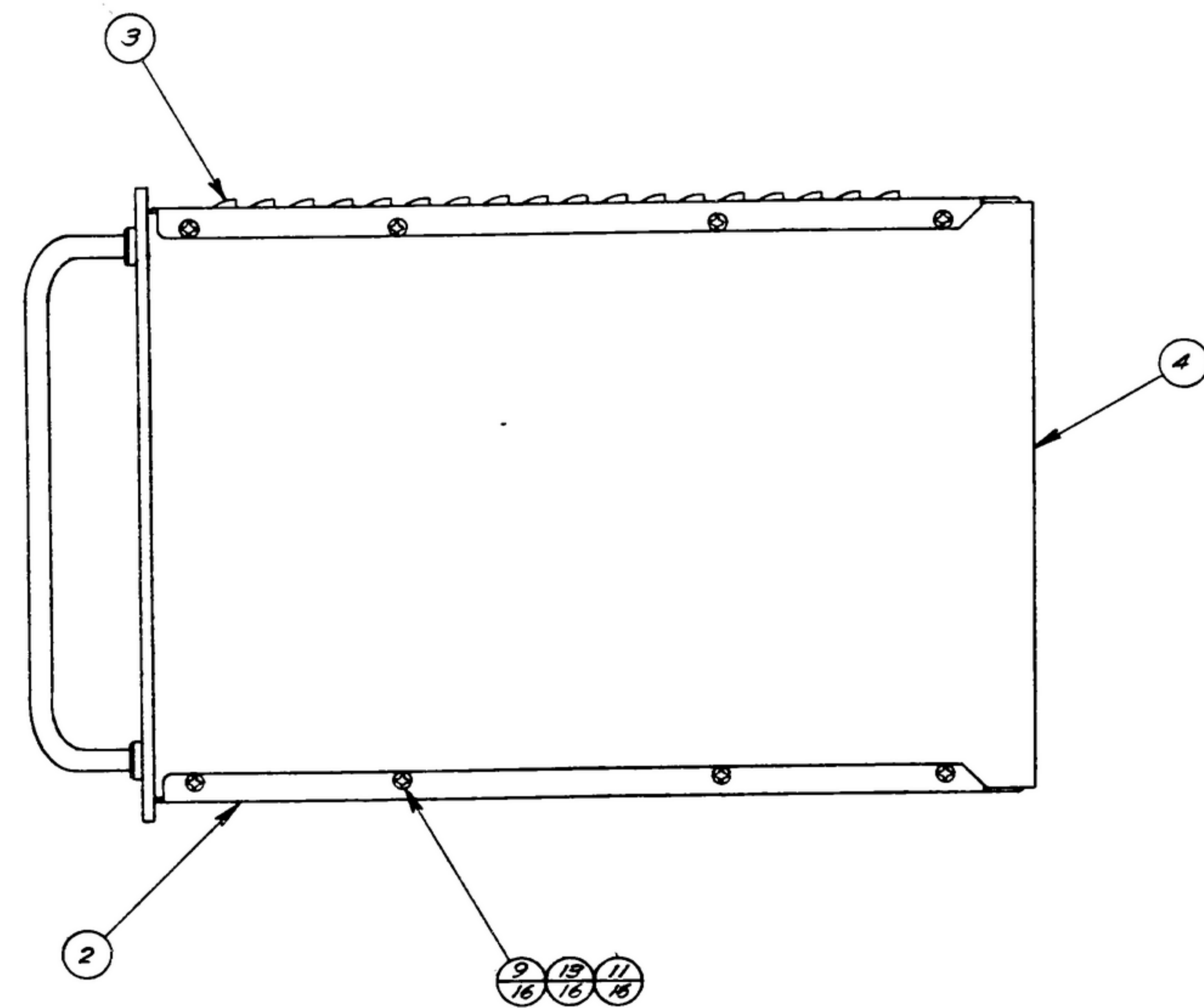
FOR INFORMATION ONLY, CONTRACTOR MAY AT HIS OPTION DEVIATE FROM THESE PROCESS DETAILS.

IF THE FOLLOWING PART NUMBERS REQUIRED MILITARY SOURCE INSPECTION AND ARE AS SHOWN EXCEPT: 558-0001-025 USE NAMEPLATE (6) FOR CONTRACT DA 36-039-5C-3601 558-0001-035 USE NAMEPLATE (6) FOR CONTRACT DA 36-039-5C-36599 558-0001-045 USE NAMEPLATE (6) FOR CONTRACT DA 36-039-5C-36619

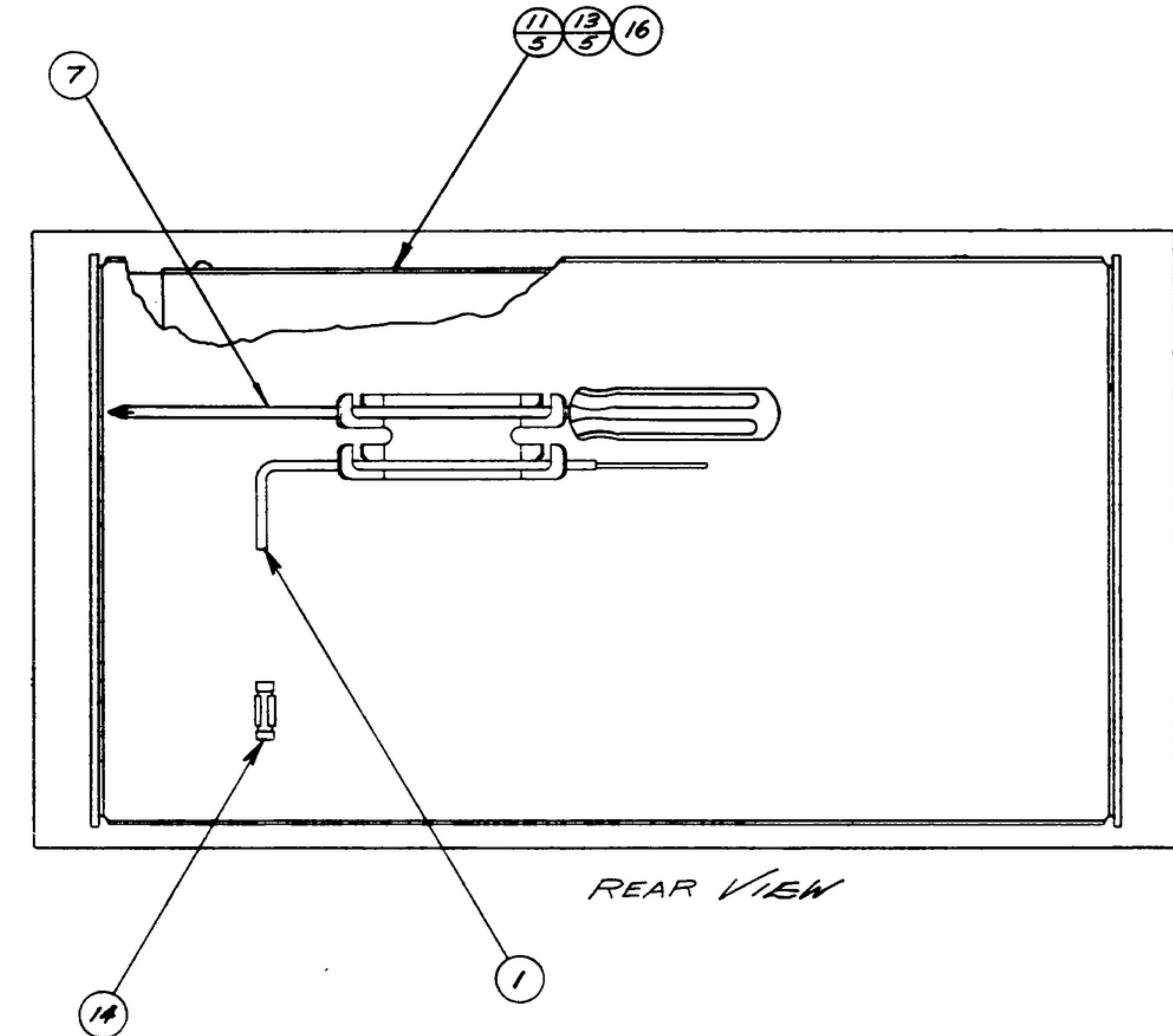
REVISIONS			
BY	DESCRIPTION	DATE	APPROVAL



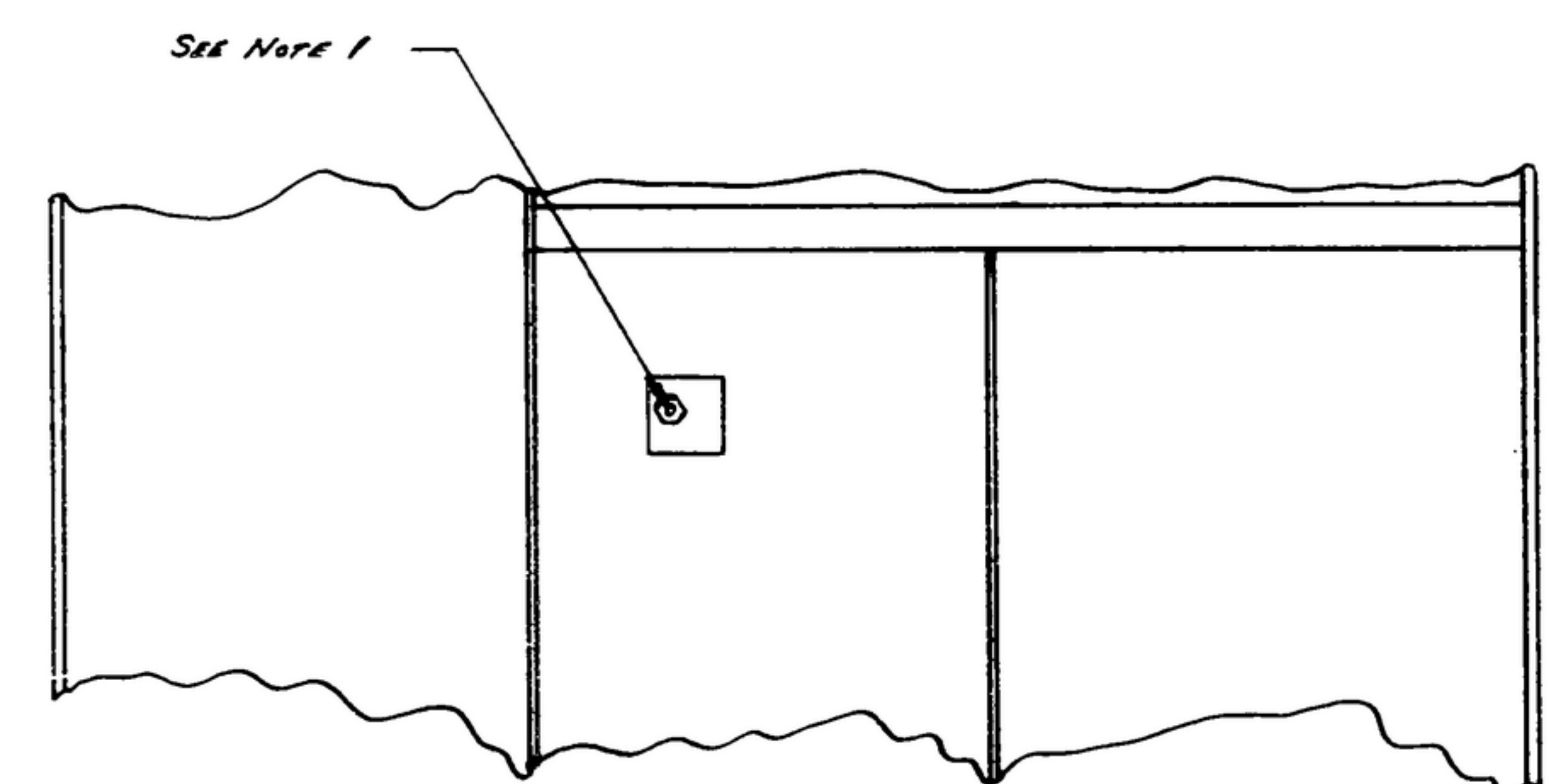
FRONT VIEW



SIDE VIEW



REAR VIEW



- NOTES:
- LIQUID STAKE VFO OUTPUT ADJUSTMENT AFTER GOVERNMENT INSPECTION, WITH VARNISH #7526(B) AS SUPPLIED BY GENERAL ELECTRIC CORP., SCHENECTADY, N.Y., OR EQUAL.
 - WASHER-FLAT No. 6 .147 I.D., .312 O.D., .032 THK TYPE 302 AS SUPPLIED BY CENTRAL SCREW CO., CHICAGO, ILL., OR EQUAL.
 - IN ALL SPLIT BALLOONS TOP FIGURE IS MATERIAL LIST ITEM INDICATOR & BOTTOM FIGURE IS QUANTITY.
 - FOR COMPLETE SCHEMATIC DIAGRAM SEE SM-J 249190

QTY	DESCRIPTION	DATE	BY	APPROVAL
16	SM-D-249145 COVER - RF			
15	SM-J-249190 SCHEMATIC DIAGRAM			4
14	MS 90078-12 FUSE FO2G3P00A			
21	MS 35398-79 WASHER			
4	MS 35398-77 WASHER			
21	MS 35216-23 SCREW			
4	MS 35216-2 SCREW			
9	SM-D-248776 WASHER			2
8	VARNISH			1
7	SM-B-249130 SCREW DRIVER			
6	SMB-2838AS NAMEPLATE			
4	SM-D-249140 RECEIVER ASSY			
3	SM-D-249132 COVER - TOP			
2	SM-D-249131 COVER - BOTTOM			
1	SM-B-249114 WRENCH ASSY			

DRAWN R.E.B.	CHECKED [Signature]	APPROVED [Signature]	DEPARTMENT OF THE ARMY SIGNAL CORPS ENGINEERING LABORATORIES FORT MONMOUTH NEW JERSEY
LIST OF MATERIAL RECEIVER RADIO R-390A/URR ASSY			SM-D-248776
DATE 28-Dec 55 SCALE 1/2			